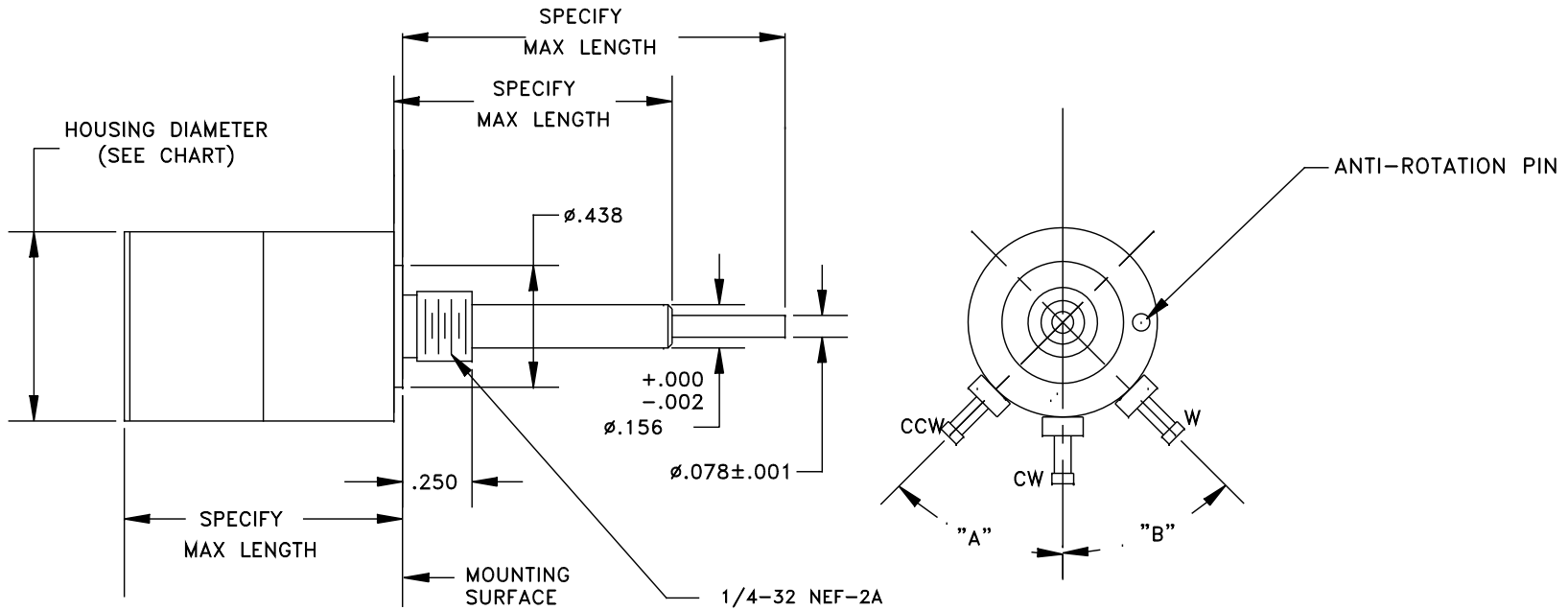


# SERIES 2020 – CONCENTRIC SHAFT – WIREWOUND



## SPECIFICATIONS

### MECHANICAL

MECHANICAL ANGLE: 360° CONTINUOUS  
STOP AVAILABLE FROM 70°

ELECTRICAL (BOTH SECTIONS)  
STANDARD RESISTANCE: 1K, 2K, 5K, 10K, 20K, 50K, 100K  
ELECTRICAL ANGLE:  $\pm 55^\circ$  to  $350^\circ$   
LINEARITY: 1% DOWN TO .2% (INDEPENDENT)  
(DEPENDANT ON ANGLE AND RESISTANCE)

OUTPUT SMOOTHNESS: 0.25%  
POWER RATING: 1.2 WATTS NOMINAL  
INSULATION RESISTANCE: 50 MEGOHMS @ 500 VDC  
DIELECTRIC STRENGTH: 750 VRMS

### MATERIALS

ANODIZED ALUMINUM HOUSING  
STAINLESS STEEL SHAFT  
CONTACTS: MULTI FINGER PRECIOUS METAL  
ELEMENTS: WIREWOUND

### ENVIRONMENTAL

TEMPERATURE:  $-65^\circ$  C TO  $+125^\circ$  C  
LIFE: THE OPERATIONAL LIFE OF THE POTENTIOMETER  
SHALL BE  $10 \times 10^6$  CYCLES.

### OPTIONAL FEATURES

TERMINATIONS:  
TERMINALS  
ABSOLUTE LINEARITY

